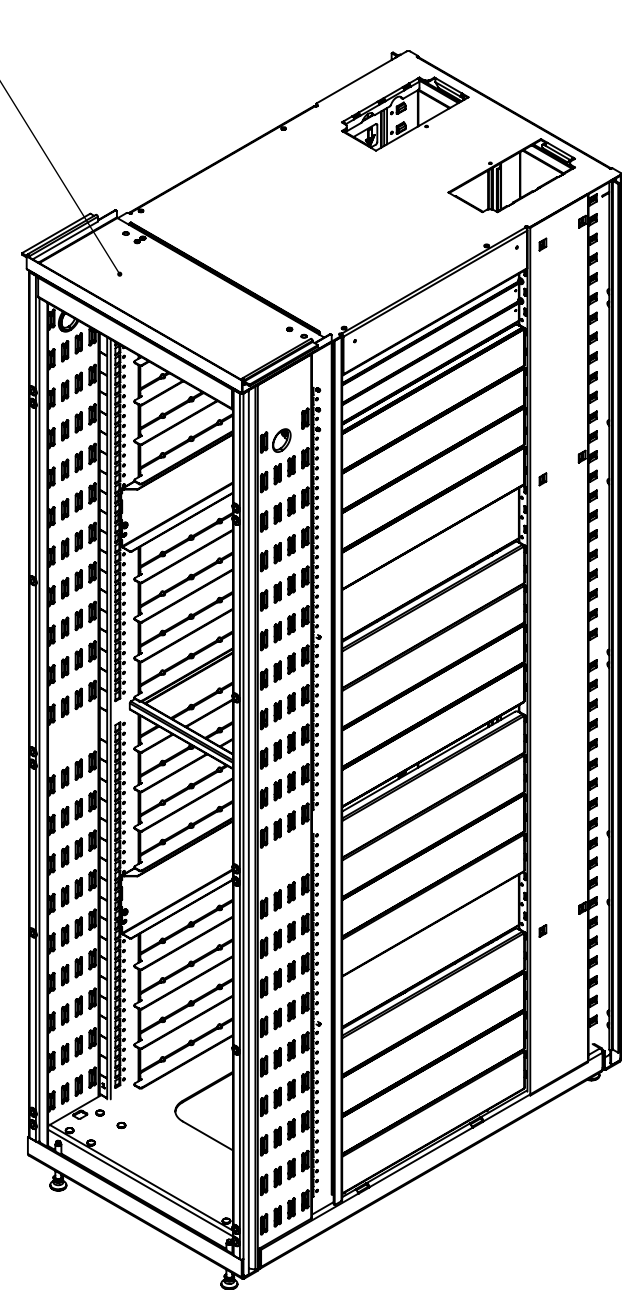


NOTES

1. INTERPRET DIMENSIONS PER ASME Y14.5M-2009.
2. ALL DIMENSIONS ARE MM.
3. THE MATERIALS AND MANUFACTURING METHODS USED MUST COMPLY WITH ROHS 2002/95/EC.
4. ALL DIMENSIONS SHOWN SHALL BE CONSIDERED CRITICAL TO FUNCTION AND CHECKED DURING FIRST ARTICLE INSPECTION.
5. COMPONENT SHALL BE CLEAN AND FREE FROM FOREIGN MATERIAL. DIRT,OIL,GREASE,OR OTHER CONTAMINANTS ARE NOT ALLOWED.
6. TOLERANCES UNLESS OTHERWISE SPECIFIED ARE:
 HOLE TO HOLE: 0.13MM/.005IN
 HOLE TO FOLD: 0.25MM/.01IN
 EDGE TO FOLD: 0.25MM/.01IN
 FOLD TO FOLD: 0.40MM/.016IN
 HOLE TO EDGE: 0.25MM/.01IN
 HOLE DIAMETER: 0.08/.003IN
 ANGLES: 0.5

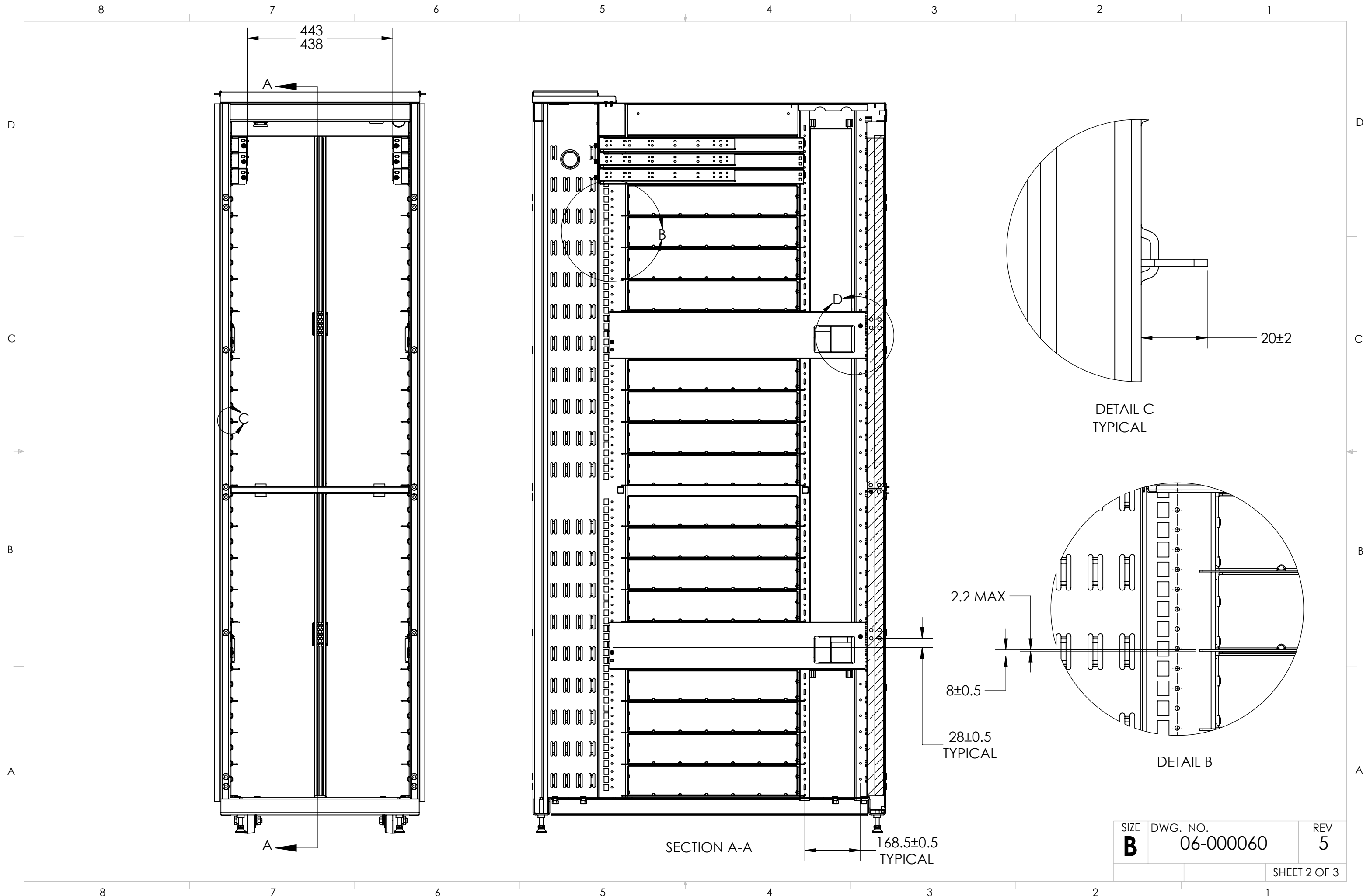
7. ITEM 7 TO BE INSTALLED APPROXIMATELY WHERE SHOWN. HARDWARE FOR ITEM 7 MAY BE SHIPPED BAGGED AND TAGGED WITH THE CONTAINMENT PANEL OR MAY BE INSTALLED INTO THE M10 NUTS WHERE THE PANEL WILL BE LOCATED ONCE INSTALLED. SCREWS TO BE TORQUED TO 10-12 NM.

REVISIONS				
ZONE	REV	DESCRIPTION	DATE	APPROVED
	1	INITIAL RELEASE		SM
	2	PVT RELEASE	15AUG14	SM
	3	DELETE PDU SPLIT BRACKET; ADD SWITCH TOLERANCE @2D7	22SEP14	SM
	4	ADD HOT AISLE CONTAINMENT BAFFLE	21 JAN 15	SM
	5	ADD 1X 27-000402 TO BOM ; INCREASE BUSBAR TO FULL HEIGHT	26 JAN 15	SM



ITEM NO.	PART NUMBER	QTY
1	27-000416 RACK WELDMENT ORV2	1
2	27-000401 BRACKET OR2 POWER SHELF SUPPORT PAIR	2
3	27-000402 BRACKET,OR2,IT GEAR MOUNTING,2OU	17
4	AC COVER	2
5	SCREW M6X12 PAN PH TAPTITE ZN DIN7500	AS REQUIRED
6	27-000404 KIT OR2 1U SWITCH SET	1
7	27-00405 KIT OR2 HOT AISLE CONTAINMENT 95INCH	1

NAME	DATE	
DRAWN MILLS	24MAR14	
CHECKED		
ENG APPR.		
MFG APPR.		TITLE: SINGLET RACK V2 OPEN RACK
PROPRIETARY AND CONFIDENTIAL		
THE INFORMATION CONTAINED IN THIS DRAWING IS THE SOLE PROPERTY OF FACEBOOK. ANY REPRODUCTION IN PART OR AS A WHOLE WITHOUT THE WRITTEN PERMISSION OF FACEBOOK IS PROHIBITED.		
SIZE B	DWG. NO. 06-000060	REV 5
		SHEET 1 OF 3

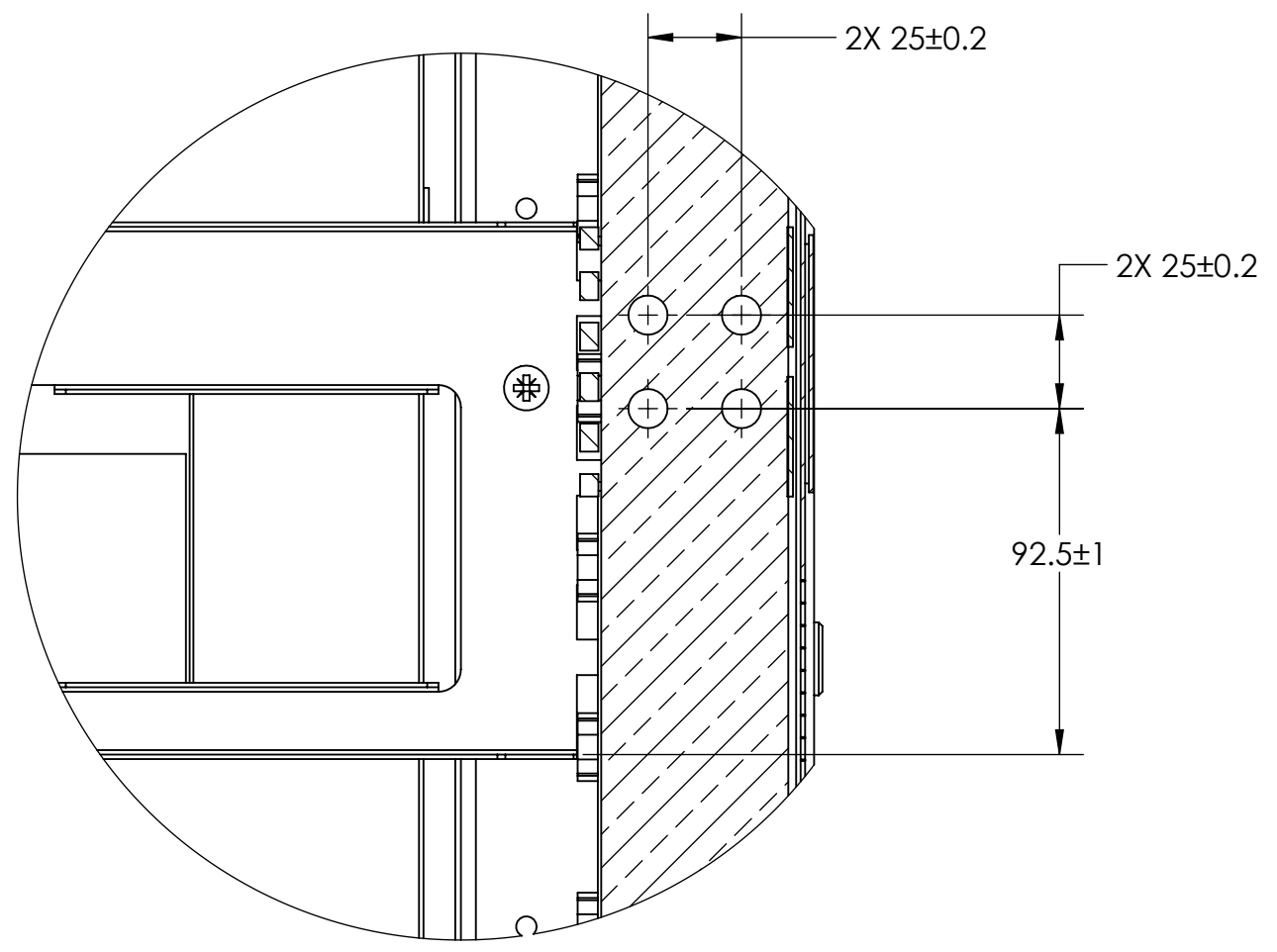


SIZE B	DWG. NO. 06-000060	REV 5
		SHEET 2 OF 3

8 7 6 5 4 3 2 1

D
C
B
A

D
C
B
A



DETAIL D
TYPICAL

8 7 6 5 4 3 2 1

SIZE B	DWG. NO. 06-000060	REV 5
		SHEET 3 OF 3