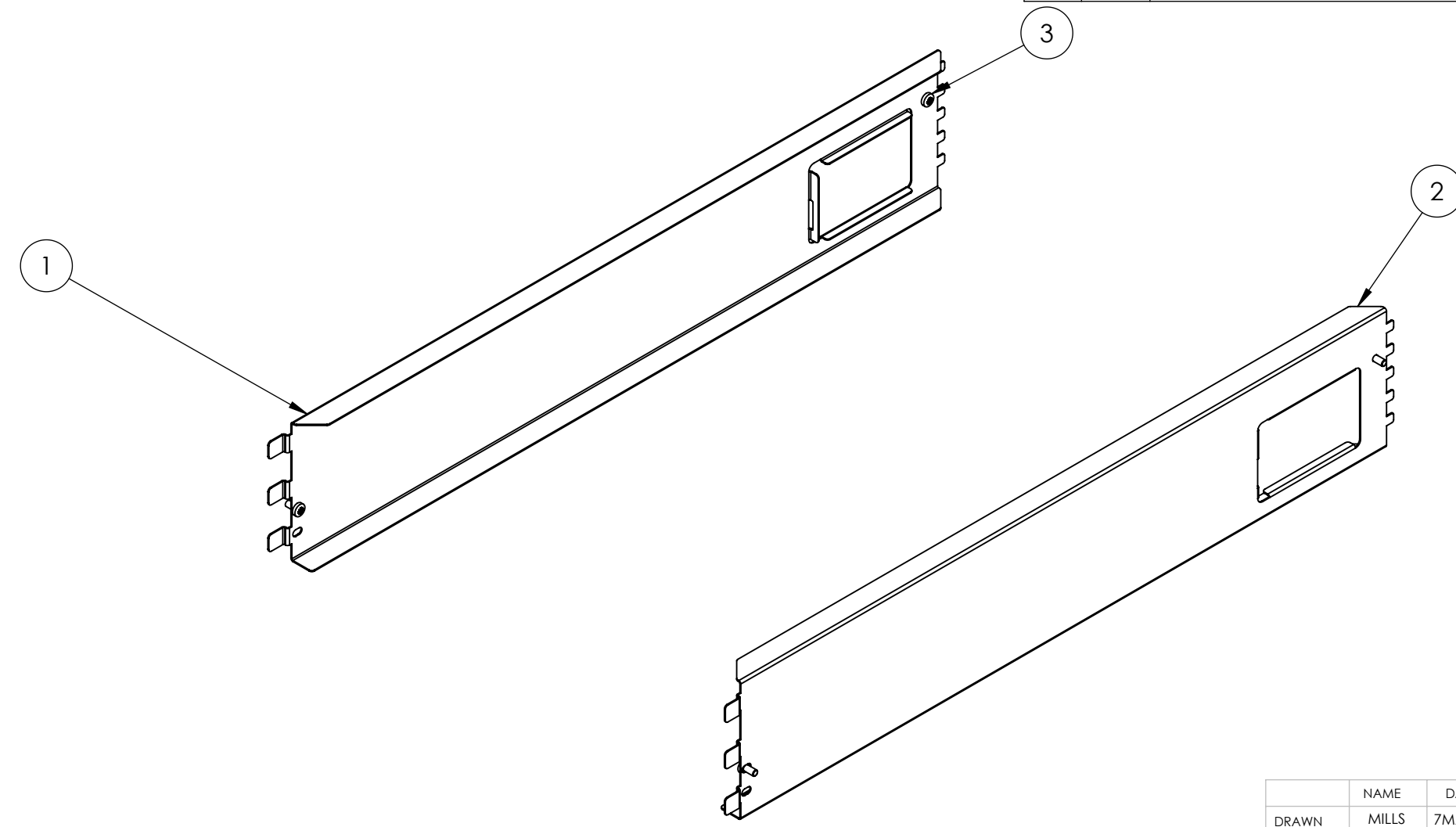


NOTES

1. INTERPRET DIMENSIONS PER ASME Y14.5M-2009.
2. ALL DIMENSIONS ARE MM.
3. THE MATERIALS AND MANUFACTURING METHODS USED MUST COMPLY WITH ROHS 2002/95/EC.
4. ALL DIMENSIONS SHOWN SHALL BE CONSIDERED CRITICAL TO FUNCTION AND CHECKED DURING FIRST ARTICLE INSPECTION.
5. COMPONENT SHALL BE CLEAN AND FREE FROM FOREIGN MATERIAL. DIRT,OIL,GREASE,OR OTHER CONTAMINANTS ARE NOT ALLOWED.
6. TOLERANCES UNLESS OTHERWISE SPECIFIED ARE:
 HOLE TO HOLE: 0.13MM/.005IN
 HOLE TO FOLD: 0.25MM/.01IN
 EDGE TO FOLD: 0.25MM/.01IN
 FOLD TO FOLD: 0.40MM/.016IN
 HOLE TO EDGE: 0.25MM/.01IN
 HOLE DIAMETER: 0.08/.003IN
 ANGLES: 0.5
7. MATERIAL SHALL RESIST THE CREATION OF ZINC WHISKERS, SUCH AS ASTM A653 AND JIS G3302 SGOC. ELECTOGALVINIZED PLATING IS NOT ALLOWED.
8. ALL EDGES SHALL BE CONDITIONED FOR HANDLING WITH A BURR NO GREATER THAN 10% OF MATERIAL THICKNESS AND SHALL CONFORM TO UL SAFETY SPECIFICATION 1439.

REVISIONS				
ZONE	REV	DESCRIPTION	DATE	APPROVED
	1	INITIAL RELEASE		SM
	2	ADD VIEW@2D5	11AUG14	SM
	3	CHANGE TOLERANCES @2B1 TO 2C1 FROM ZERO	5SEP14	SM
	4	CHANGED TAB LENGTH TO17.8 @2D7	22SEP14	SM
	5	ADD DIM FOR SHELF STOP @2C3	17NOV14	SM
	6	ADD ADDITIONAL SLOT IN FRONT	2DEC14	SM
	7	TIGHTEN TOLERANCE AT 2D4	9APR15	SM



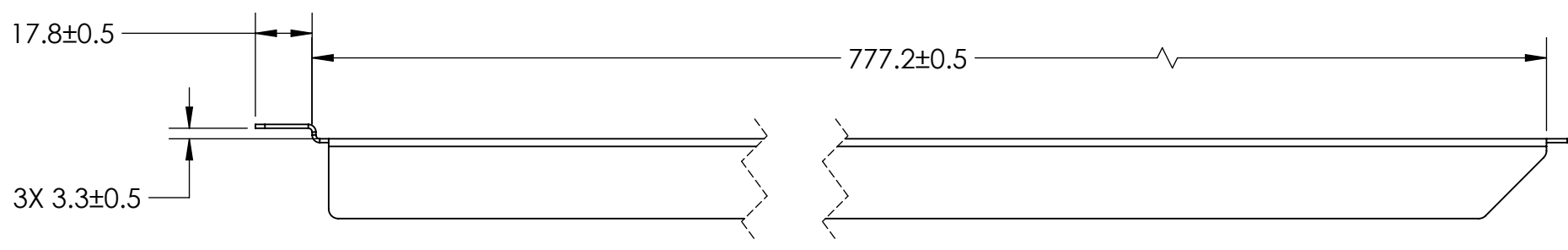
ITEM NO.	PART NUMBER	QTY.
1	S OR2 POWER SHELF SUPPORT BRACKET 3U	1
2	S OR2 POWER SHELF SUPPORT BRACKET 3UMirror	1
3	SCREW M6X12 PAN PH TAPTITE ZN DIN7500	4

NAME	DATE	facebook
DRAWN MILLS	7MAR13	
CHECKED		
ENG APPR.		
MFG APPR.		TITLE:
		BRACKET, OR2, POWER SHELF SUPPORT, PAIR
<small>PROPRIETARY AND CONFIDENTIAL</small> <small>THE INFORMATION CONTAINED IN THIS DRAWING IS THE SOLE PROPERTY OF FACEBOOK. ANY REPRODUCTION IN PART OR AS A WHOLE WITHOUT THE WRITTEN PERMISSION OF FACEBOOK IS PROHIBITED.</small>		SIZE
		B
DWG. NO.		REV
27-000401		7
		SHEET 1 OF 2

8 7 6 5 4 3 2 1

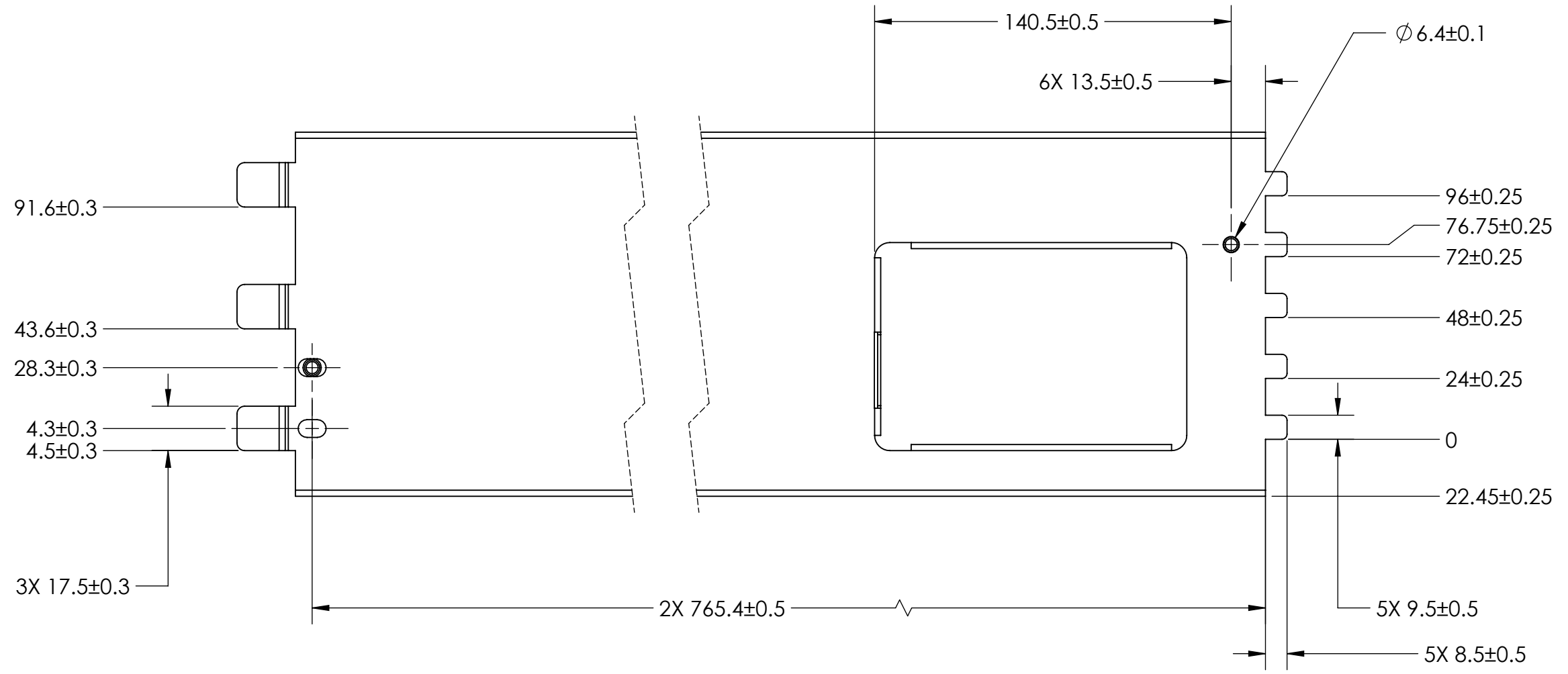
D

D



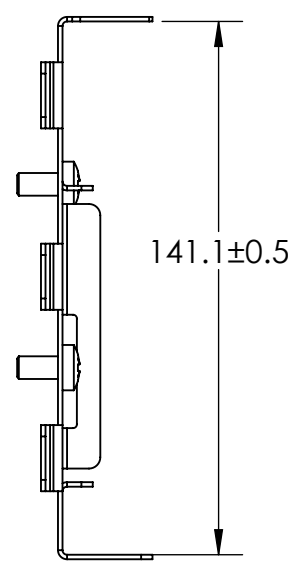
C

C



B

B



A

A

DIMENSIONS TYPICAL FOR BOTH MIRRORED PARTS IN ASSEMBLY

SIZE	DWG. NO.	REV
B	27-000401	7
		SHEET 2 OF 2

8 7 6 5 4 3 2 1