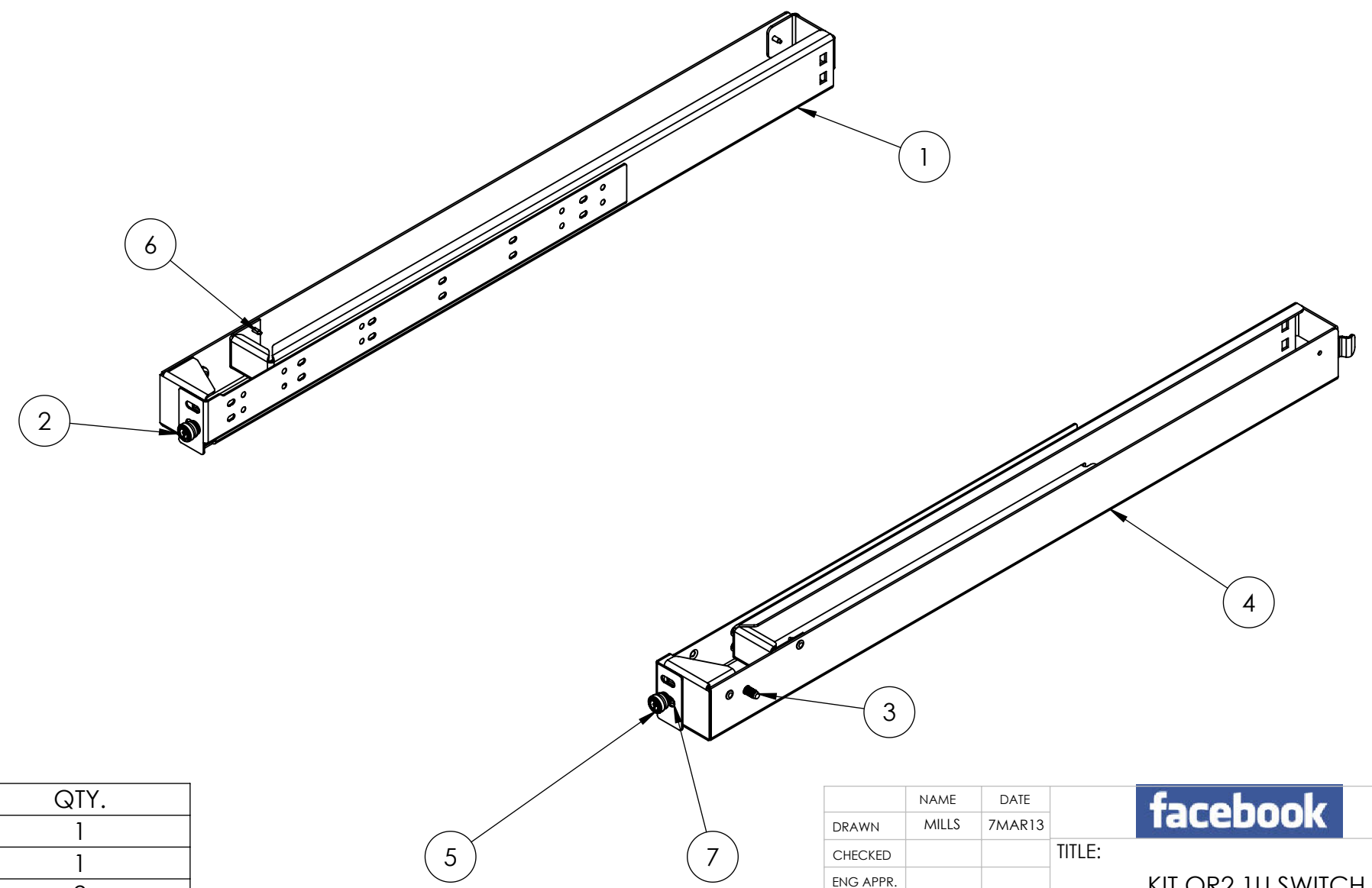


NOTES

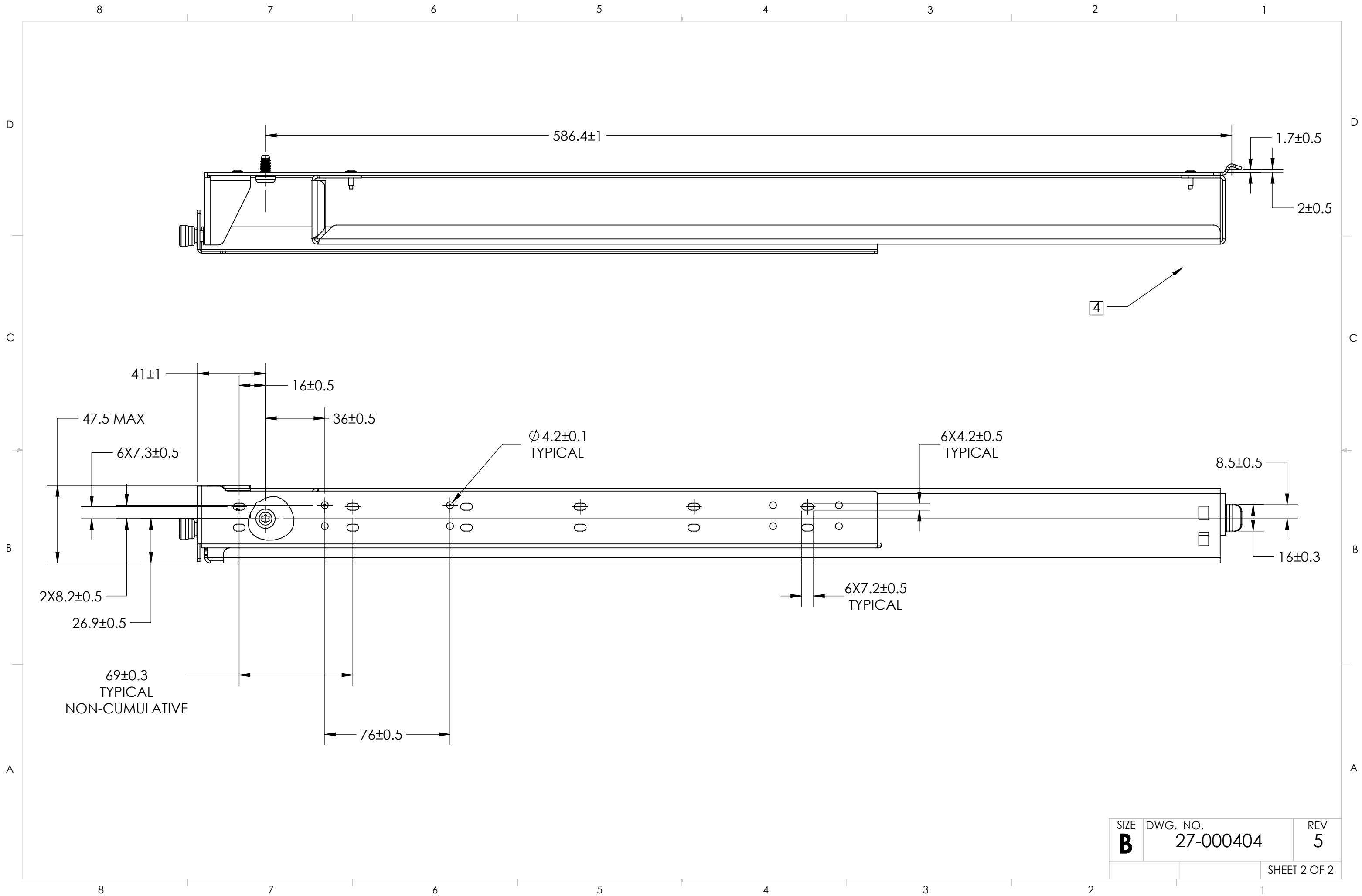
1. INTERPRET DIMENSIONS PER ASME Y14.5M-2009.
2. ALL DIMENSIONS ARE MM.
3. THE MATERIALS AND MANUFACTURING METHODS USED MUST COMPLY WITH ROHS 2002/95/EC.
4. ALL DIMENSIONS SHOWN SHALL BE CONSIDERED CRITICAL TO FUNCTION AND CHECKED DURING FIRST ARTICLE INSPECTION.
5. COMPONENT SHALL BE CLEAN AND FREE FROM FOREIGN MATERIAL. DIRT,OIL,GREASE,OR OTHER CONTAMINANTS ARE NOT ALLOWED.
6. TOLERANCES UNLESS OTHERWISE SPECIFIED ARE:
 HOLE TO HOLE: 0.13MM/.005IN
 HOLE TO FOLD: 0.25MM/.01IN
 EDGE TO FOLD: 0.25MM/.01IN
 FOLD TO FOLD: 0.40MM/.016IN
 HOLE TO EDGE: 0.25MM/.01IN
 HOLE DIAMETER: 0.08/.003IN
 ANGLES: 0.5
7. MATERIAL SHALL RESIST THE CREATION OF ZINC WHISKERS, SUCH AS ASTM A653 AND JIS G3302 SGOC. ELECTOGALVINIZED PLATING IS NOT ALLOWED.
8. ALL EDGES SHALL BE CONDITIONED FOR HANDLING WITH A BURR NO GREATER THAN 10% OF MATERIAL THICKNESS AND SHALL CONFORM TO UL SAFETY SPECIFICATION 1439.
- 9 THUMBSCREW COLOR IS PANTONE 375C (ACCESS GREEN) OR FACEBOOK ENGINEERING APPROVED EQUIVALENT. ASSEMBLY MUST PROVIDE SUPPORT AS DEFINED IN THE 06-00060 ASSEMBLY PRINT.

REVISIONS			
REV	DESCRIPTION	DATE	APPROVED
1	INITIAL RELEASE		SM
2	ADD PANTONE COLOR FOR SCREW; REMOVE CABLE CLIP; ADD ADDITIONAL COUNTER SUNK HOLES	30JUL14	SM
3	CHANGE TOLERANCE 69 ± 0.5 @2B5	22 AUG 14	SM
4	ADD BOM TABLE	16 DEC 14	SM
5	CHANGE TAB TO HOOK @2C1	1JUN15	SM



ITEM NO.	PART NUMBER	QTY.
1	S OR2 EIA TO OR ADAPTER BRACKET 1U TYPE9	1
2	4 OR2 SWITCH SUPPORT BRACKET LEFT	1
3	SCREW M6X1X12 PAN T30 TF ZN DIN 7500	2
4	MirrorS OR2 EIA TO OR ADAPTER BRACKET 1U TYPE9	1
5	Mirror4 OR2 SWITCH SUPPORT BRACKET LEFT	1
6	RIVET 125 DOME AL 039-187 GRIP	5
7	X OPR M5 CAGE NUT	2

NAME	DATE	 TITLE: KIT OR2 1U SWITCH
DRAWN	MILLS 7MAR13	
CHECKED		
ENG APPR.		
MFG APPR.		
PROPRIETARY AND CONFIDENTIAL THE INFORMATION CONTAINED IN THIS DRAWING IS THE SOLE PROPERTY OF FACEBOOK. ANY REPRODUCTION IN PART OR AS A WHOLE WITHOUT THE WRITTEN PERMISSION OF FACEBOOK IS PROHIBITED.		
SIZE	DWG. NO.	REV
B	27-000404	5
SHEET 1 OF 2		



SIZE B	DWG. NO. 27-000404	REV 5
		SHEET 2 OF 2