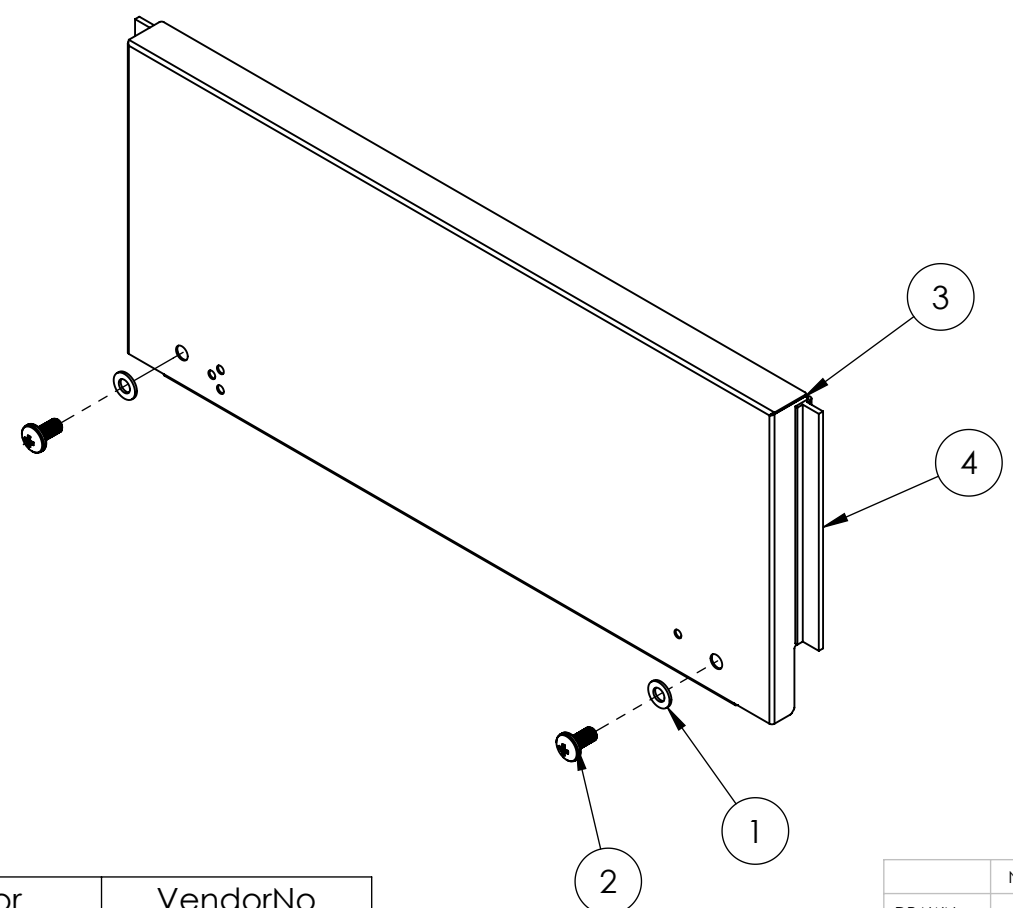


**NOTES**

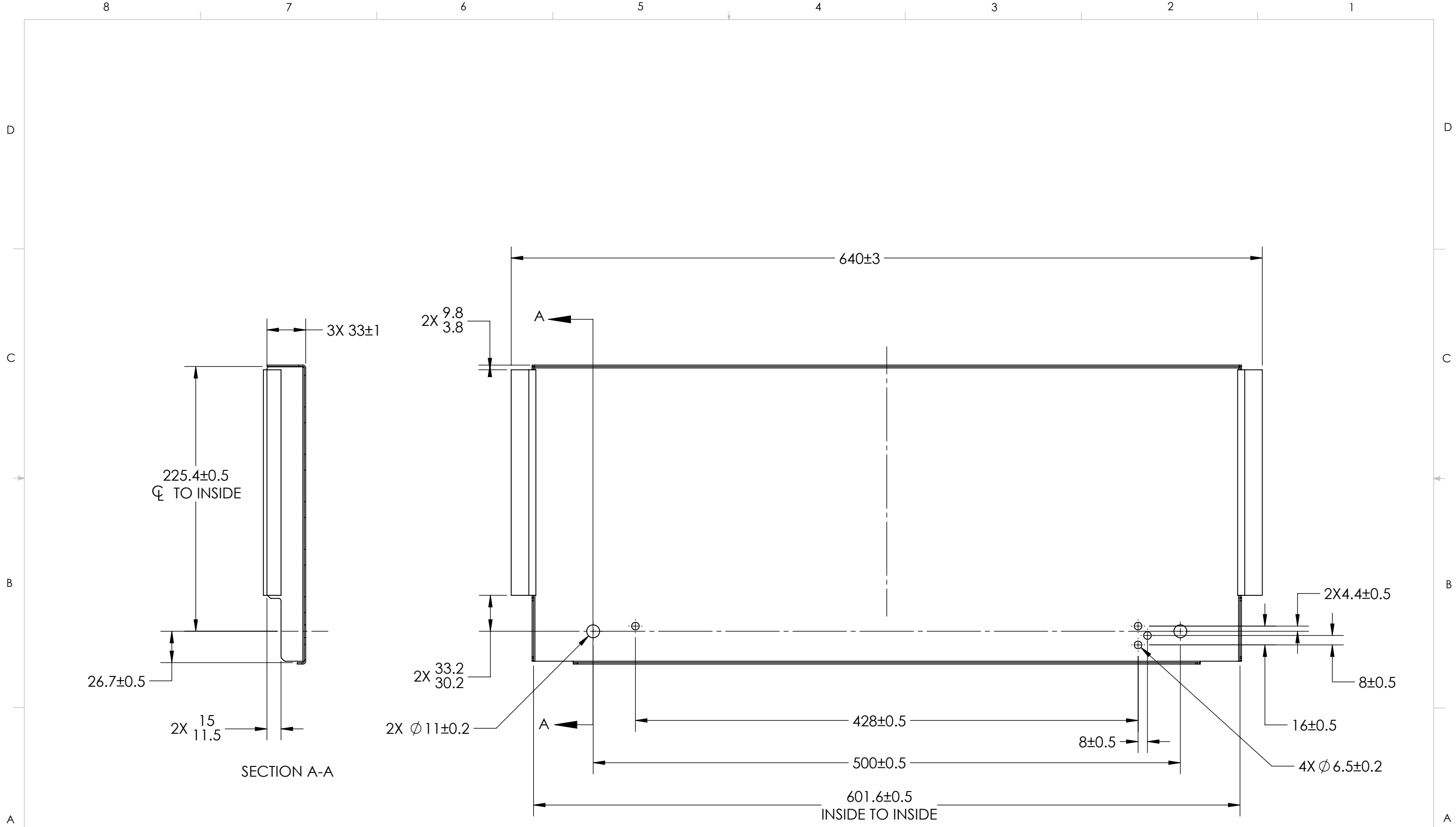
1. INTERPRET DIMENSIONS PER ASME Y14.5M-2009.
2. ALL DIMENSIONS ARE MM.
3. THE MATERIALS AND MANUFACTURING METHODS USED MUST COMPLY WITH ROHS 2002/95/EC.
4. ALL DIMENSIONS SHOWN SHALL BE CONSIDERED CRITICAL TO FUNCTION AND CHECKED DURING FIRST ARTICLE INSPECTION.
5. COMPONENT SHALL BE CLEAN AND FREE FROM FOREIGN MATERIAL. DIRT,OIL,GREASE,OR OTHER CONTAMINANTS ARE NOT ALLOWED.
6. TOLERANCES UNLESS OTHERWISE SPECIFIED ARE:  
 HOLE TO HOLE: 0.13MM/.005IN  
 HOLE TO FOLD: 0.25MM/.01IN  
 EDGE TO FOLD: 0.25MM/.01IN  
 FOLD TO FOLD: 0.40MM/.016IN  
 HOLE TO EDGE: 0.25MM/.01IN  
 HOLE DIAMETER: 0.08/.003IN  
 ANGLES: 0.5
7. MATERIAL SHALL RESIST THE CREATION OF ZINC WHISKERS, SUCH AS ASTM A653 AND JIS G3302 SGO. ELECTOGALVINIZED PLATING IS NOT ALLOWED.
8. ALL EDGES SHALL BE CONDITIONED FOR HANDLING WITH A BURR NO GREATER THAN 10% OF MATERIAL THICKNESS AND SHALL CONFORM TO UL SAFETY SPECIFICATION 1439.
10. BAG AND TAG WITH FACEBOOK PART NUMBER AND REVISION.
11. METHOD OF JOINING ASSEMBLY AND QUANTITY OF JOINTS SHALL COMPLY WITH THE FOLLOWING SPECIFICATIONS.
12. ASSEMBLY TO BE POWDER COATED PER RAL STANDARD 9005 "JET BLACK".

REVISIONS				
ZONE	REV	DESCRIPTION	DATE	APPROVED
	1	INITIAL RELEASE	7MAR14	SM
	2	UPDATED INSIDE DIM @2A3; ADD RELIEF @2A7	29MAY14	SM
	3	ADD GASKET MATERIAL TO EDGES AND ADJUST TOLERANCES	2DEC14	SM
	4	ADD HOLES TO RETAIN TO RACK TOP	21 JAN 15	SM
	5	ADD NEW HOLE @2B2	1JUN15	SM



ITEM NO.	PART NUMBER	QTY.	Vendor	VendorNo
1	WASHER FLAT M10 STEEL ZN DIN125 ISO7089	2	MCMASTER FASTENAL	91166A280 40358
2	SCR M10X20 MS PAN PH STEEL ZN ISO7045	2	MCMASTER FASTENAL	92005A626 38654
3	S OR2 HOT AISLE CONTAINMENT 95 INCH	1	TBD VENDOR	VENDOR PART NUMBER
4	X OR2 MECHANICAL GASKET TOP HAT	2	TBD VENDOR	VENDOR PART NUMBER

NAME		DATE	<b>facebook</b>
DRAWN	MILLS	7MAR14	
CHECKED			
ENG APPR.			
MFG APPR.			TITLE: KIT, OR2,HOT AISLE CONTAINMENT,95" INCH
<small>PROPRIETARY AND CONFIDENTIAL                  THE INFORMATION CONTAINED IN THIS DRAWING IS THE SOLE PROPERTY OF FACEBOOK. ANY REPRODUCTION IN PART OR AS A WHOLE WITHOUT THE WRITTEN PERMISSION OF FACEBOOK IS PROHIBITED.</small>			SIZE <b>B</b> DWG. NO. <b>27-000405</b> REV <b>5</b>
			SHEET 1 OF 2



SIZE	DWG. NO.	REV
<b>B</b>	27-000405	5
		SHEET 2 OF 2